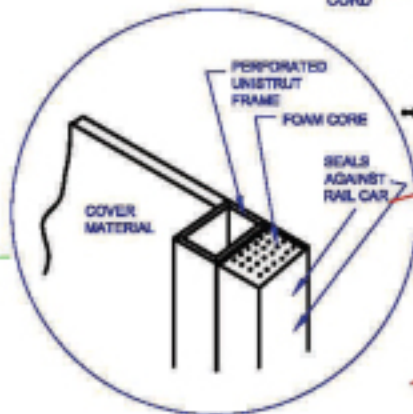
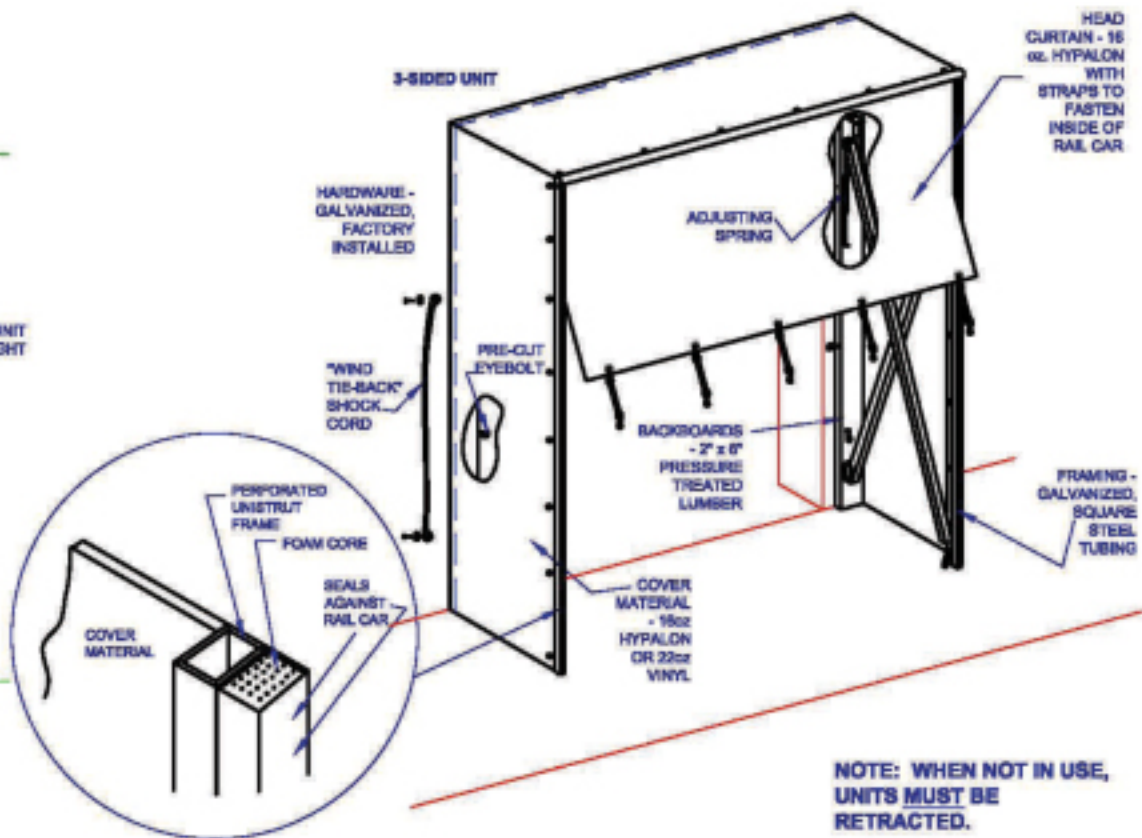
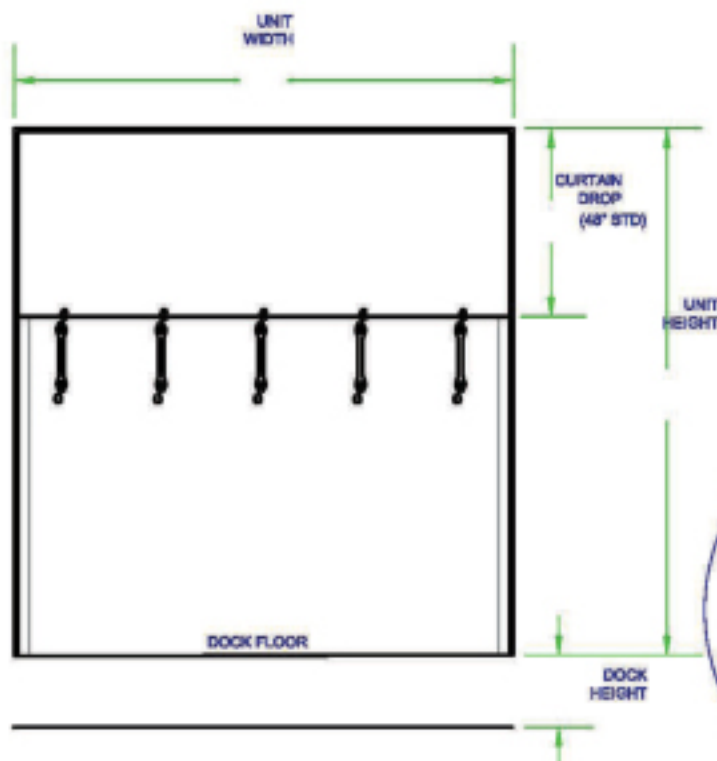
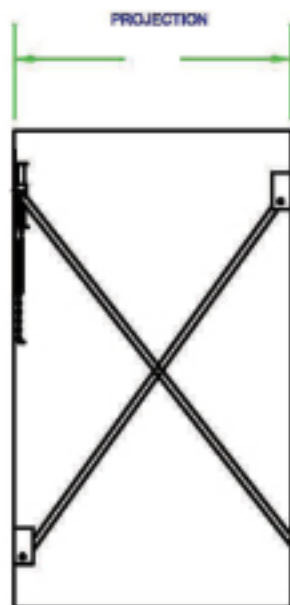


3-SIDED RAIL DOCK SHELTER SPECIFICATION SHEET

Form: RS081001PS3-Rev 0



NOTE: WHEN NOT IN USE, UNITS MUST BE RETRACTED.



QUANTITY: _____, MODEL: _____,
 UNIT WIDTH: _____, HEIGHT: _____,
 PROJECTION: _____,
 HEAD CURTAIN OFF RAIL: _____,
 (Standard 11'-0" off rail)
 UNIT TO EXTEND BELOW DOCK: _____

NOTE: 4-sided Unit must extend a minimum of 12" below dock. It is also recommended, but not mandatory, to extend 3-sided unit 12" below dock to reduce bottom draft.

DOOR SIZE: _____ WIDTH, _____ HEIGHT
 DOCK HEIGHT: _____, BUMPER PROJECTION _____
 DISTANCE FROM WALL TO -
 CENTERLINE OF TRACKS: _____
 INSIDE OF NEAR RAIL: _____
 LEDGE or PLATFORM PRESENT: YES NO
 IF SO, DESCRIBE:
 _____ W x _____ H x _____ PROJECTION

SPECIAL INFORMATION

P.O. BOX 1028
 FRANKLIN, TN 37065-1028
 PHONE: 800-394-6944; FAX: 615-371-1764



JOB: _____

DEALER: _____

CONTACT: _____

QUOTE #: _____

APPROVED BY SIGNATURE: _____