

SERVICE AND INSULATED ROLLING DOORS

300 SERIES

Models EPS300, EPI300

MEASURE THE WIDTH AND HEIGHT OF THE DOOR OPENING

SERVICE DOOR

6'	16"	16.5"	7 1/4"	13 1/4" - 14 1/4"
7'	17"	17.5"		
8'	18"	18.5"		
9'	18"	18.5"		
10'	19"	19.5"		
11'	20"	20.5"		
12'	20"	20.5"		
13'	21"	21.5"		
14'	21"	21.5"		
15'	N/A	N/A		
16'	N/A	N/A		

INSULATED DOOR

6'	16"	16.5"	7 1/4"	13 1/4" - 14 1/4"
7'	17"	17.5"		
8'	18"	18.5"		
9'	18"	18.5"		
10'	19"	19.5"		
11'	20"	20.5"		
12'	20"	20.5"		
13'	21"	21.5"		
14'	21"	21.5"		
15'	N/A	N/A		
16'	N/A	N/A		

HEIGHT

A

B

C

D

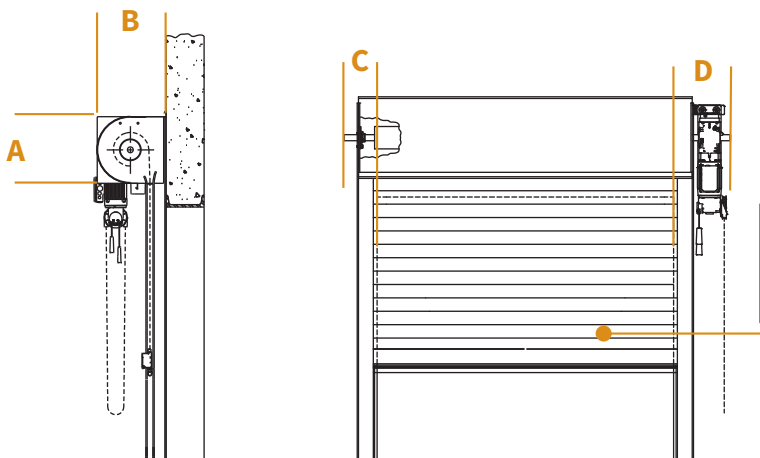
HEIGHT

A

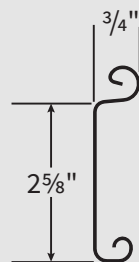
B

C

D

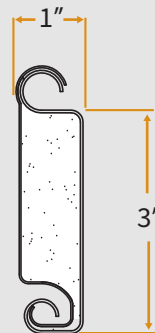


CURTAIN SLAT DESIGN



SERVICE DOOR

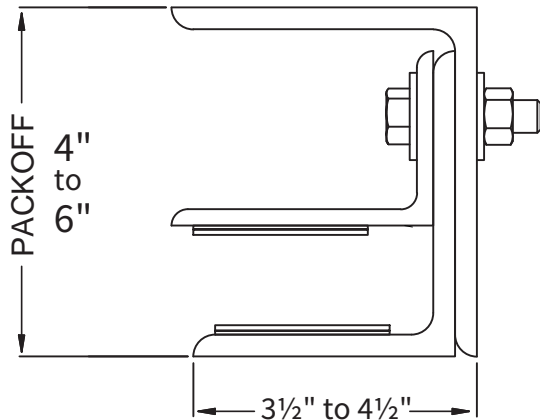
INSULATED DOOR



The dimensions featured on this sheet are provided as a guide. Please visit our website at www.cornelliron.com/drawings to generate drawings on demand with exact dimensions.

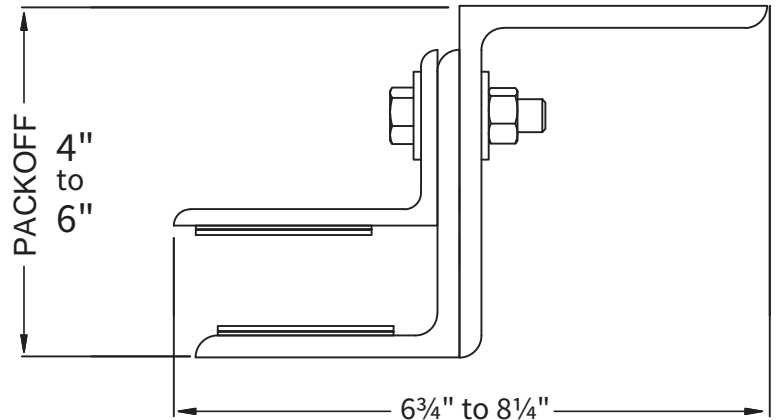
SERVICE AND INSULATED ROLLING DOORS **300 SERIES** Models EPS300, EPI300

SERVICE DOOR



E GUIDE

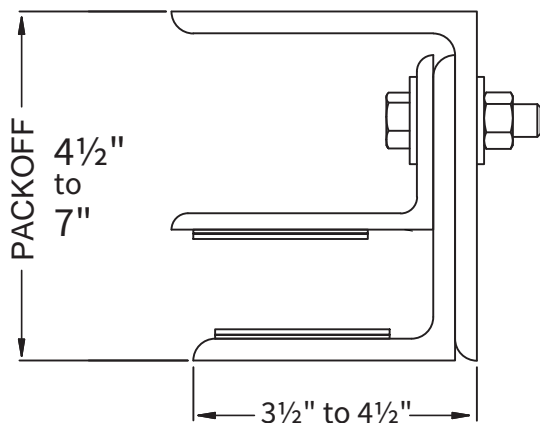
Typically used with steel jambs



Z GUIDE

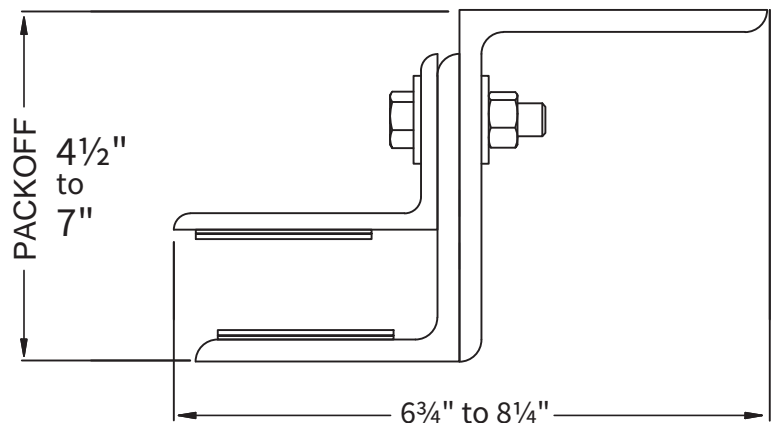
Typically used with masonry wall construction

INSULATED DOOR



E GUIDE

Typically used with steel jambs



Z GUIDE

Typically used with masonry wall construction

The dimensions featured on this sheet are provided as a guide. Please visit our website at www.cornelliron.com/drawings to generate drawings on demand with exact dimensions.

CUSTOM-DESIGNED SOLUTIONS

Our experienced Architectural Design Support Team can customize our products to fit your specific application. Call 800.233.8366 ext. 4551 • ads@cornelliron.com

Remember, three main factors when choosing a guide construction are:

1. Wall construction
2. Operation
3. Side clearance