

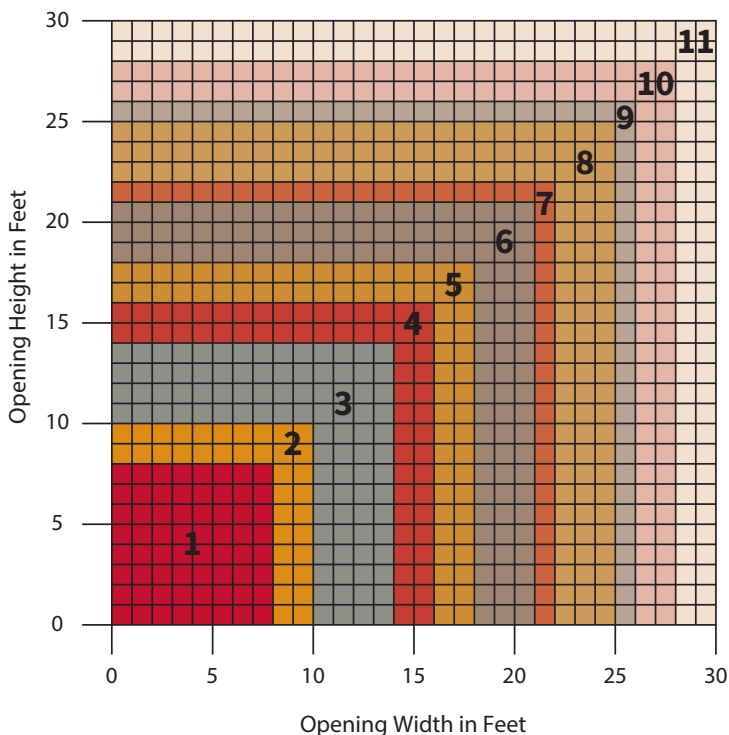
ROLLING DOORS

# SERVICE DOOR

Model ESD10

## MEASURE THE WIDTH AND HEIGHT OF THE DOOR OPENING

### DOOR SIZE AND AREA



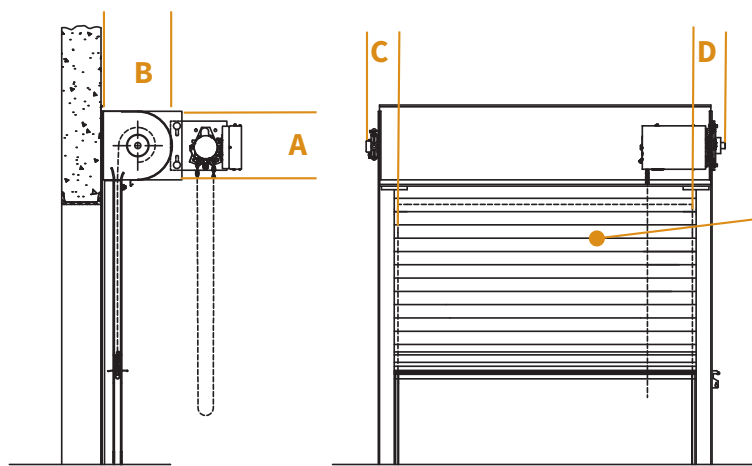
### COMPONENT DIMENSIONS

Reference the zone number to view component dimensions for motorized doors.

1	14	16	5	7
2	15	17	5	7
3	16	18	5	7
4	17	19	5	9
5	18	20	5	9
6	19	21	5	9
7	20	22	7	9
8	21	23	7	9
9	22	24	7	11
10	23	25	7	11
11	24	26	7 <td 11	

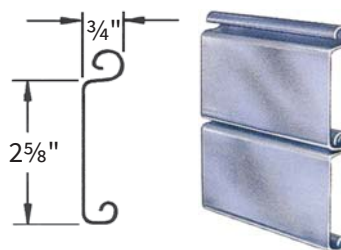
Dimensions in Inches

Zone A B C D



The dimensions featured on this sheet are provided as a guide. Please visit our website at [www.cornelliron.com/drawings](http://www.cornelliron.com/drawings) to generate drawings on demand with exact dimensions.

### CURTAIN SLAT DESIGN



Remember, three main factors when choosing a guide assembly are:

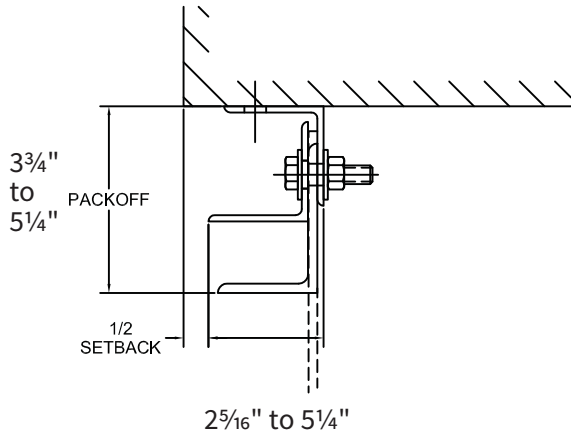
1. Wall construction
2. Operation
3. Side clearance

## GUIDE CONSTRUCTION OPTIONS

### FACE OF WALL

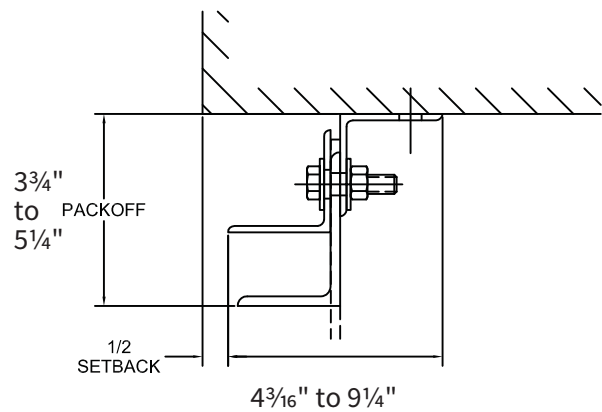
#### E GUIDE

Typically used with steel jamb



#### Z GUIDE

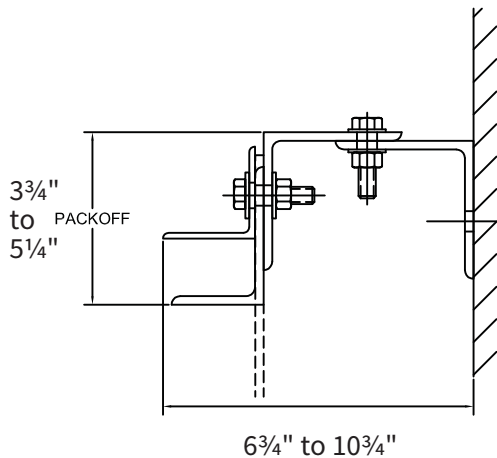
Typically used with masonry wall construction



### BETWEEN JAMBS

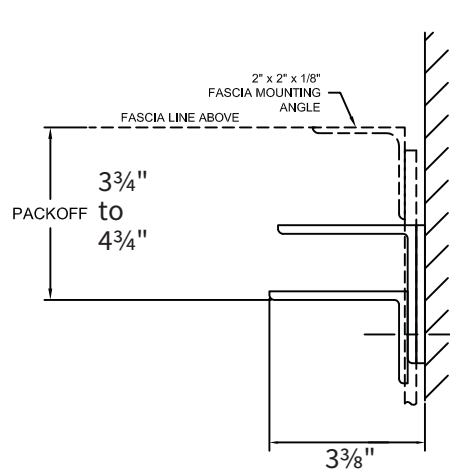
#### 4 ANGLE

Most common for doors with chain/crank/motor operation



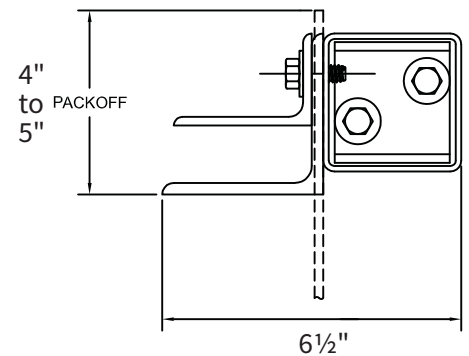
#### 2 ANGLE

Typically used for small push-up doors that can utilize an inside spring adjustor



#### 2 ANGLE - TUBES

Typically used if there's no wall support, or tubes and guides need to be recessed within the wall construction



The dimensions featured on this sheet are provided as a guide. Please visit our website at [www.cornelliron.com/drawings](http://www.cornelliron.com/drawings) to generate drawings on demand with exact dimensions.

## CUSTOM-DESIGNED SOLUTIONS

Our experienced Architectural Design Support Team can customize our products to fit your specific application.

Call 800.233.8366 ext. 4551 • [ads@cornelliron.com](mailto:ads@cornelliron.com)