

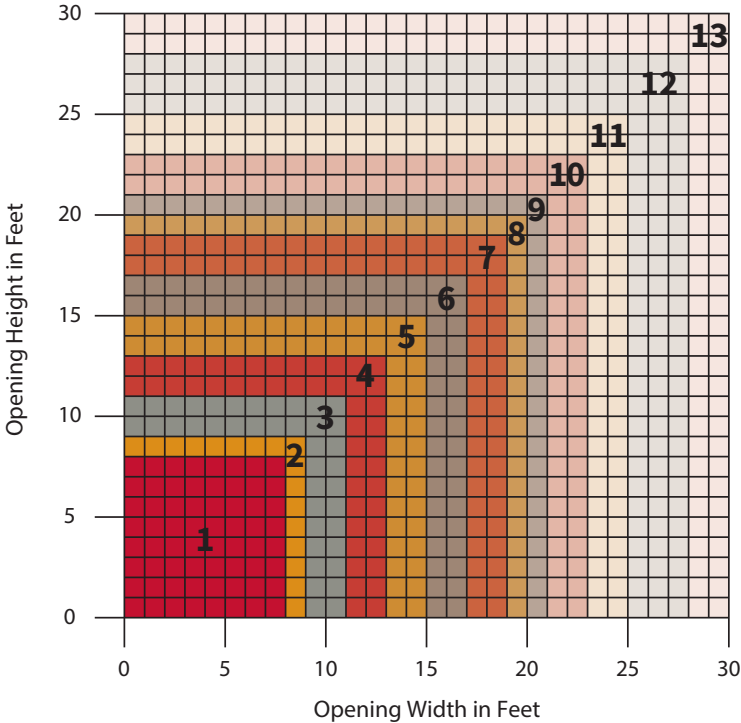
INSULATED ROLLING DOOR

# THERMISER

Model ESD20

## MEASURE THE WIDTH AND HEIGHT OF THE OPENING

### DOOR SIZE AND AREA



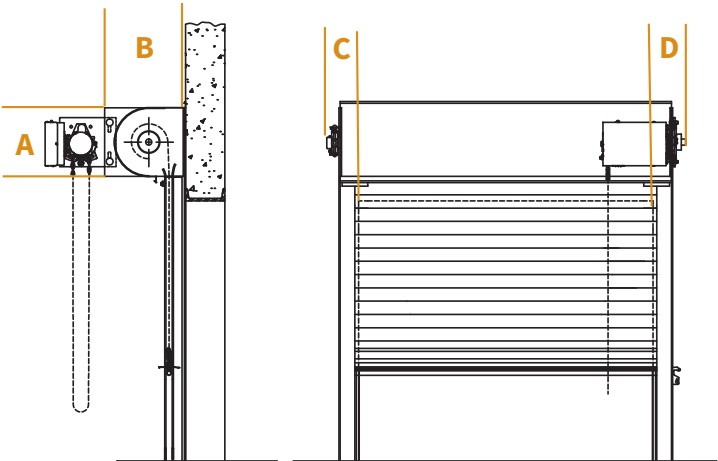
### COMPONENT DIMENSIONS

Reference the zone number to view component dimensions for motorized doors.

Dimensions in Inches

|    |    |    |   |    |
|----|----|----|---|----|
| 1  | 17 | 19 | 5 | 9  |
| 2  | 18 | 20 | 5 | 9  |
| 3  | 19 | 21 | 5 | 9  |
| 4  | 20 | 22 | 7 | 9  |
| 5  | 21 | 23 | 7 | 11 |
| 6  | 22 | 24 | 7 | 11 |
| 7  | 23 | 25 | 7 | 11 |
| 8  | 24 | 26 | 7 | 11 |
| 9  | 25 | 27 | 7 | 11 |
| 10 | 26 | 28 | 7 | 11 |
| 11 | 27 | 29 | 7 | 11 |
| 12 | 29 | 31 | 7 | 11 |
| 13 | 31 | 33 | 7 | 11 |

Zone A B C D

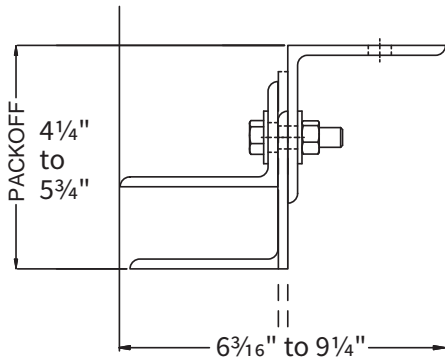


The dimensions featured on this sheet are provided as a guide. Please visit our website at [www.cornelliron.com/drawings](http://www.cornelliron.com/drawings) to generate drawings on demand with exact dimensions.

**GUIDE CONSTRUCTION OPTIONS**

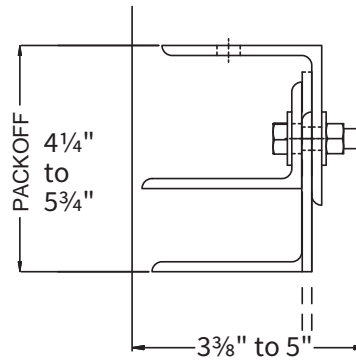
**FACE OF WALL Z**

Typically used with masonry wall construction, guides are mounted to the interior or exterior side of the wall.



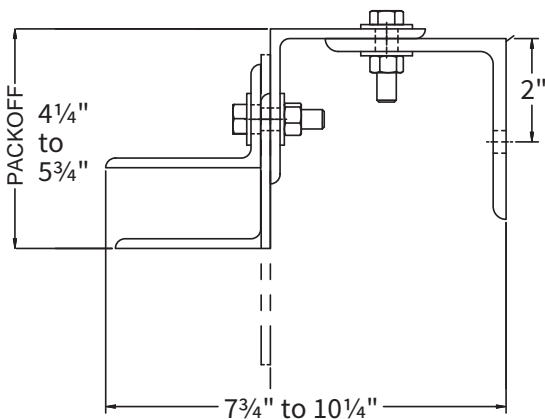
**FACE OF WALL E**

Typically used with steel jambs, guides are mounted to the interior or exterior side of the wall.

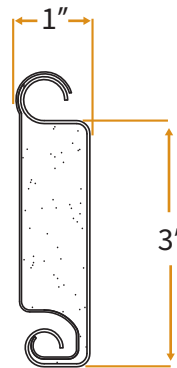


**BETWEEN JAMBS**

Used when side clearance is minimal, guides are mounted to the inside of the jamb.



**CURTAIN DESIGN** Insulated Slat



R Value of 8.0

U Value of .125

Calculated using the ASHRAE Handbook of Fundamentals

The dimensions featured on this sheet are provided as a guide. Please visit our website at [www.cornelliron.com/drawings](http://www.cornelliron.com/drawings) to generate drawings on demand with exact dimensions.

**CUSTOM-DESIGNED SOLUTIONS**

Our experienced Architectural Design Support Team can customize our products to fit your specific application. Call 800.233.8366 ext. 4551 • [ads@cornelliron.com](mailto:ads@cornelliron.com)