

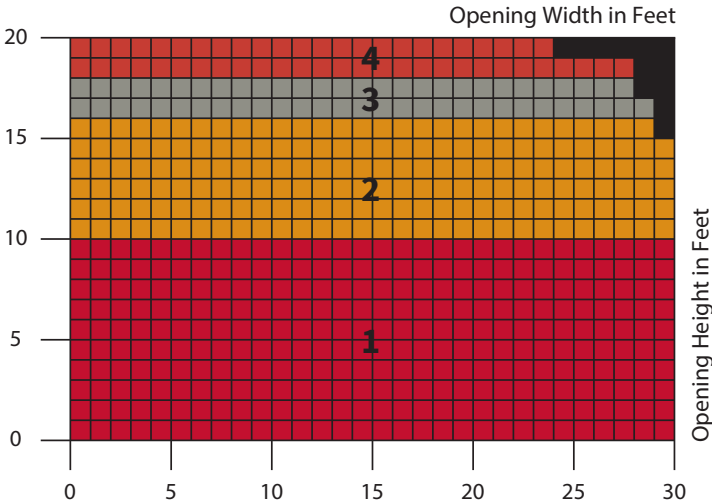
HIGH PERFORMANCE LINE

EXTREME® 1024 HIGH PERFORMANCE DOORS

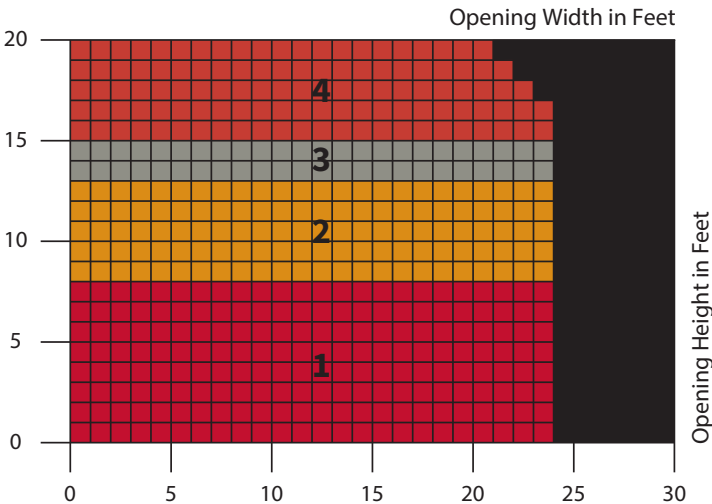
Models EPD1024 and EPI1024 (insulated)

MEASURE THE WIDTH AND HEIGHT OF THE OPENING

NON-INSULATED DOOR SIZE AND AREA



INSULATED DOOR SIZE AND AREA

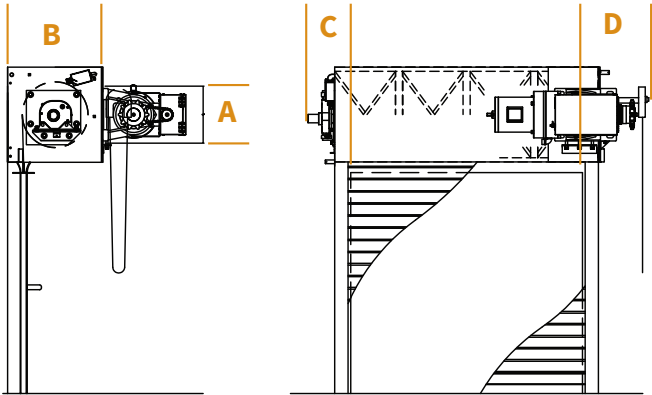


COMPONENT DIMENSIONS

Reference the zone number to view component dimensions.

Zone	A	B	C	D
1	20	21	10	14
2	22	23	10	14
3	24	25	10	14
4	26	27	10	14

Dimensions in Inches



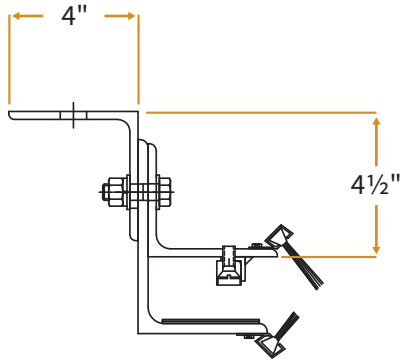
The dimensions featured on this sheet are provided as a guide. Please visit our website at www.cornelliron.com/drawings to generate drawings on demand with exact dimensions.

HIGH PERFORMANCE LINE **EXTREME® 1024 HIGH PERFORMANCE DOORS** Models EPD1024 and EPI1024 (insulated)

GUIDE CONSTRUCTION OPTIONS

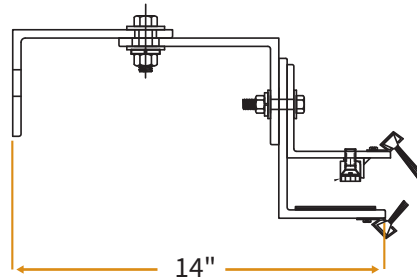
TYPE 1

Z Guide



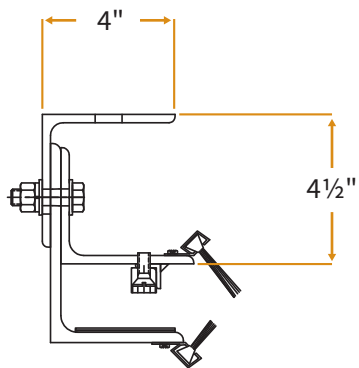
BETWEEN JAMB TYPE 14

Used when side clearance is minimal, guides are mounted to the inside of the jamb.



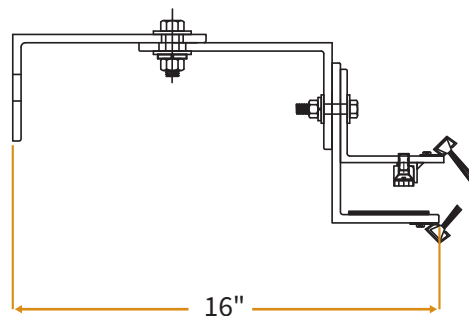
TYPE 2

E Guide



BETWEEN JAMB TYPE 16

Used when side clearance is minimal, guides are mounted to the inside of the jamb.



The dimensions featured on this sheet are provided as a guide. Please visit our website at www.cornelliron.com/drawings to generate drawings on demand with exact dimensions.

CUSTOM-DESIGNED SOLUTIONS

Our experienced Architectural Design Support Team can customize our products to fit your specific application. Call 800.233.8366 ext. 4551 • ads@cornelliron.com