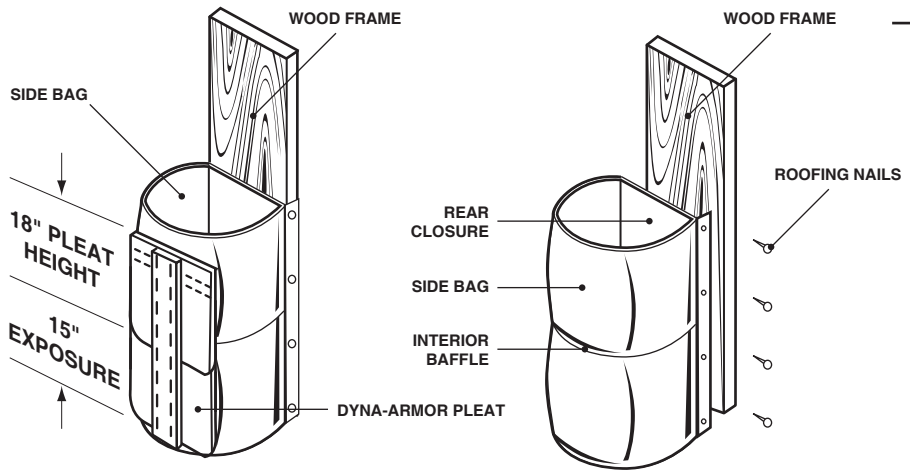
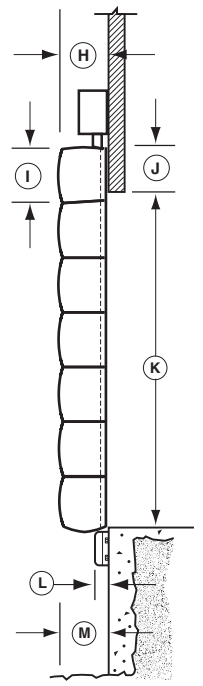
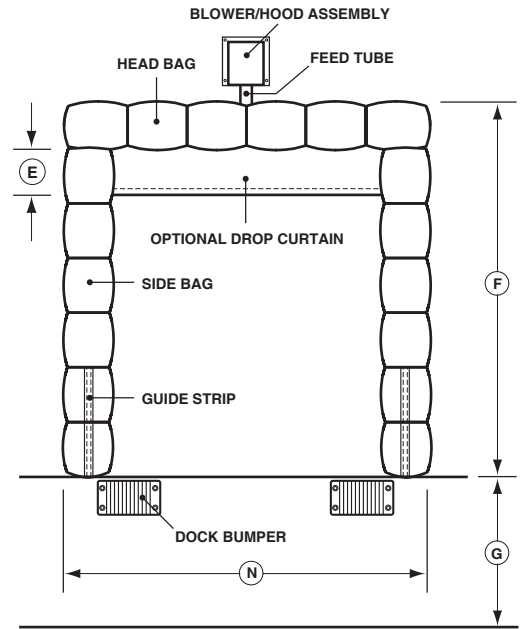
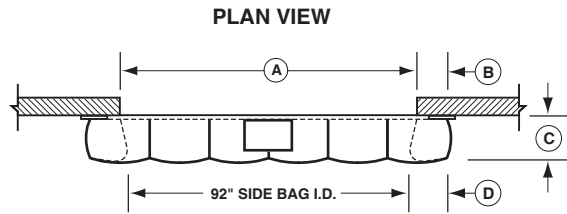
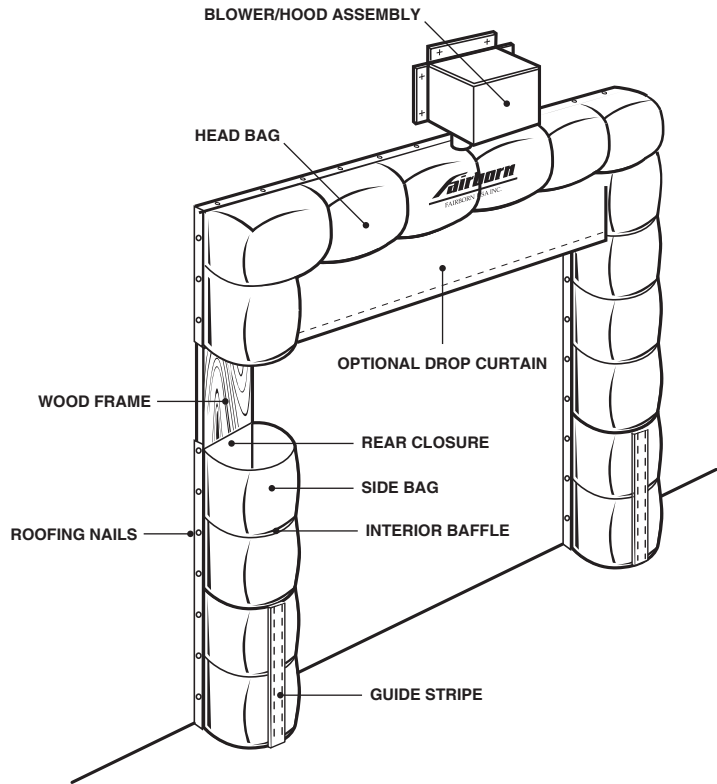


**SERIES 1500**  
FIXED HEADER  
INFLATABLE SEAL



OPTIONAL PLEAT DETAIL      CONSTRUCTION DETAIL

- \_\_\_\_\_ "A" DOOR WIDTH
- \_\_\_\_\_ "B" SIDE BAG WIDTH AT REAR
- \_\_\_\_\_ "C" UNIT TOP PROJ.
- \_\_\_\_\_ "D" SIDE BAG WIDTH AT FACE
- \_\_\_\_\_ "E" DROP CURTAIN HEIGHT
- \_\_\_\_\_ "F" UNIT HEIGHT
- \_\_\_\_\_ "G" DOCK HEIGHT

- \_\_\_\_\_ UNIT FABRIC
- \_\_\_\_\_ "H" UNIT TOP PROJ.
- \_\_\_\_\_ "I" HEAD BAG HEIGHT AT FACE
- \_\_\_\_\_ "J" HEAD BAG HEIGHT AT REAR

- \_\_\_\_\_ "K" DOOR HEIGHT
- \_\_\_\_\_ "L" DOCK BUMPER PROJ.
- \_\_\_\_\_ "M" UNIT BOTTOM PROJ.
- \_\_\_\_\_ "N" UNIT WIDTH
- \_\_\_\_\_ PLEAT FABRIC



P.O. BOX 151 • 205 BROADVIEW STREET  
UPPER SANDUSKY, OHIO 43351  
800-262-1188 • 419-294-4987 • FAX: 419-294-4980  
VISIT US AT... WWW.FAIRBORNUSA.COM

|                        |            |
|------------------------|------------|
| JOB:                   |            |
| LOCATION:              |            |
| CONTRACTOR:            | ARCHITECT: |
| APPROVED BY SIGNATURE: |            |