

QuickStart for the model GH door operator

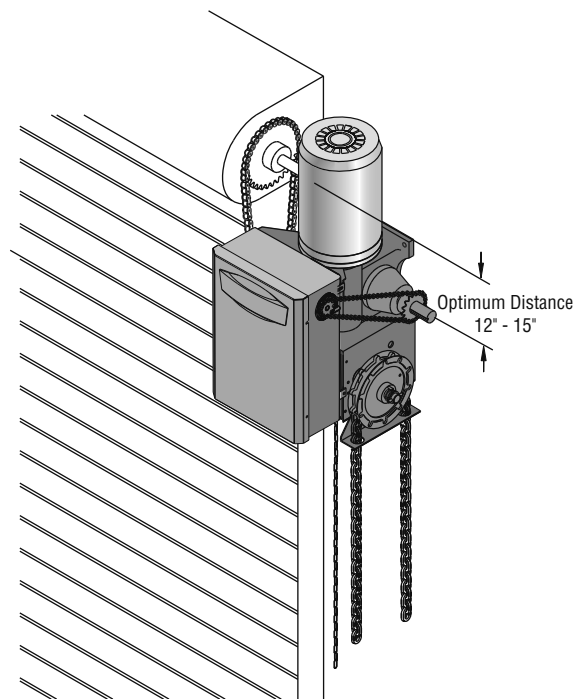
IMPORTANT: This QuickStart is intended to highlight a typical installation. These instructions are not intended to be comprehensive. Since each application is unique, it is the responsibility of the purchaser, designer, installer and end user to ensure that the total door system is safe for its intended use. Please consult the manual and/or a qualified technician for further information.

Operator Mounting

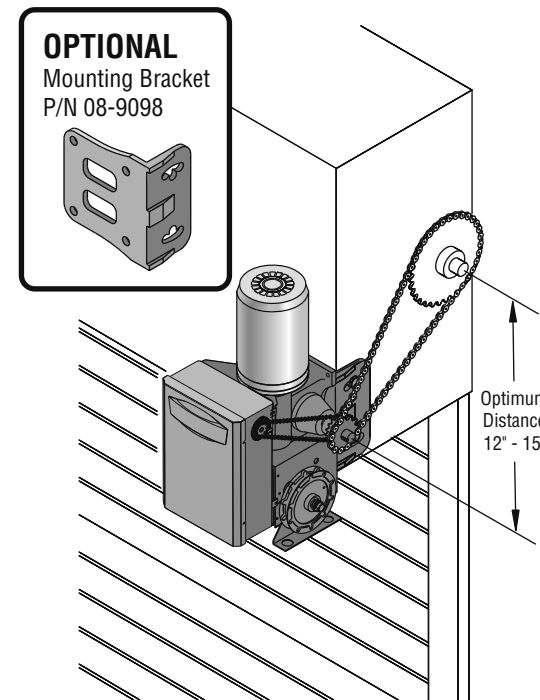
- 1a **Wall Mount:** The operator should generally be installed below the door shaft, and as close to the door as possible.
- 1b **Bracket Shelf Mounting:** The operator may be mounted either above or below the door shaft.

NOTE: The optimum distance between the door shaft and operator drive shaft is between 12 - 15 inches.
- 2 Place door sprocket on the door shaft. **Do not insert the key at this time.**
- 3 Place drive sprocket on the appropriate side of the operator. **Do not insert the key at this time.**
- 4 Wrap chain drive around door sprocket and join roller chain ends together with master link.
- 5 Raise operator to approximate mounting position and position chain over operator sprocket.
- 6 Raise or lower operator until the chain is taut (not tight). Make sure the operator output shaft is parallel to door shaft and sprockets are aligned. When in position, secure the operator to wall or mounting bracket.
- 7 Align sprockets, insert key into keyway, and secure.
- 8 Place hand chain around hand chain wheel.
- 9 Run the power wires through the power wiring conduit hole in the electrical box enclosure. Connect the power to the operator. Connect the earth ground to the ground screw in the electrical box enclosure. **Follow ALL local electrical codes.**
- 10 Adjust the limit switches to open and close door properly. Make sure the limit nuts are positioned between the limit switches before proceeding with adjustments.
- 11 Radio programming and troubleshooting instructions inside cover of operator.

1a Right Hand Wall Mounted Operator



1b Bracket Shelf Mounted Operator



ELITE™ SERIES LOGIC 4

Manual Operation

This operator has provisions for manually operating the door in case of emergency or power failure. These operators are equipped with a manual hoist. An electrical interlock will disable the electrical controls when the hoist is used. **Turn off power to the operator BEFORE manually operating your door.**

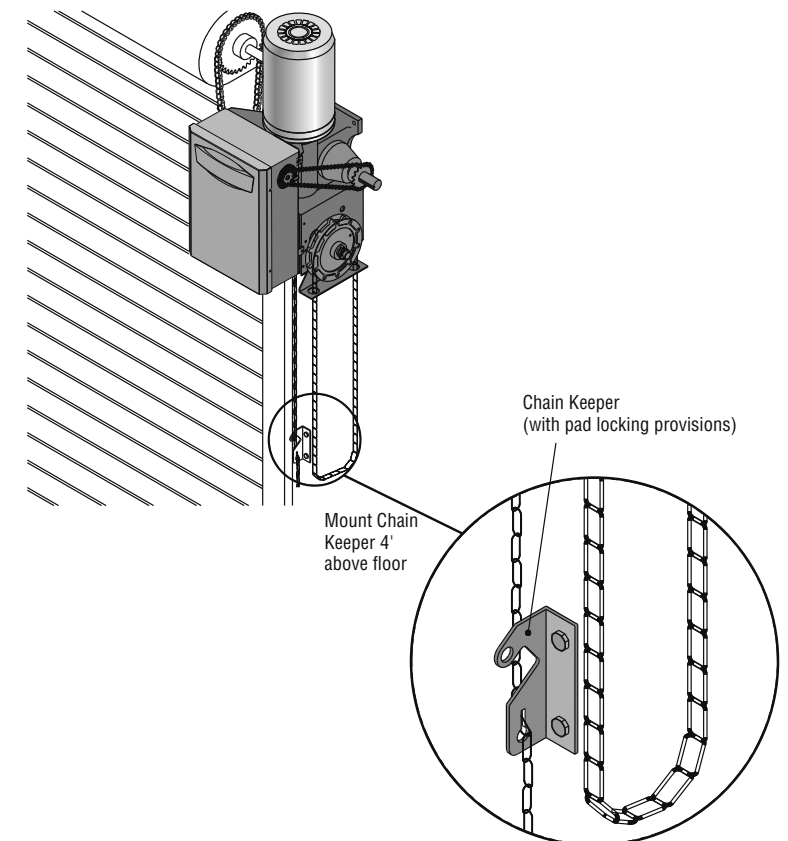
Electrical Interlock with Hoist

To operate the hoist, pull the disconnect chain (small chain) to engage the hoist mechanism. The disconnect chain may be locked in position by slipping the end through the keyhole of the chain keeper mounted on the wall. Operate the door in the desired direction by pulling on one side or the other of the continuous loop hoist chain (large chain). The disconnect chain must be released from the chain keeper before the door will operate again electrically.



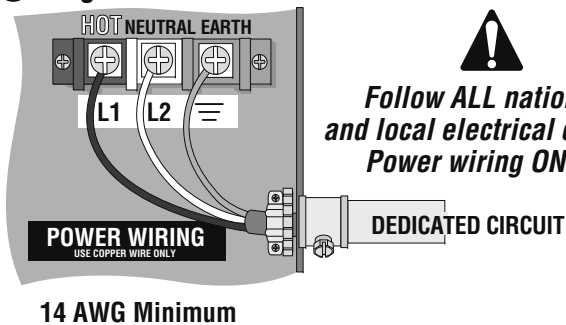
Turn off power to the operator **BEFORE** manually operating your door.

Electrical Interlock with Hoist

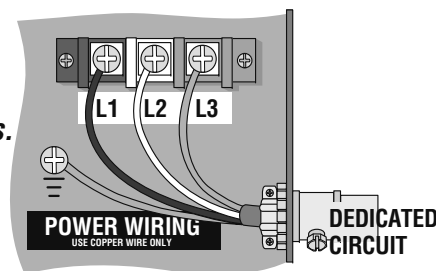


Inside the Electrical Box

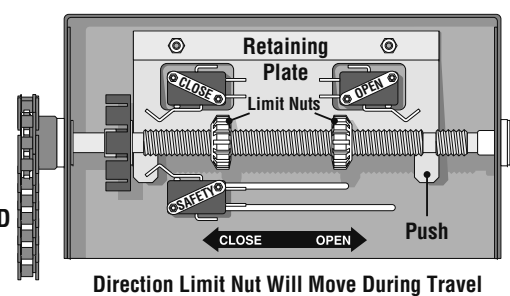
9 Single Phase Connections



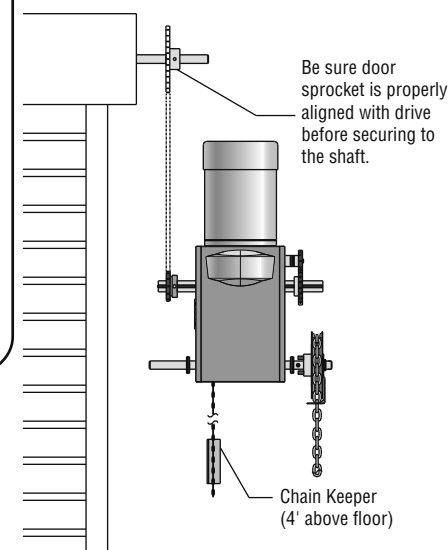
Three Phase Connections



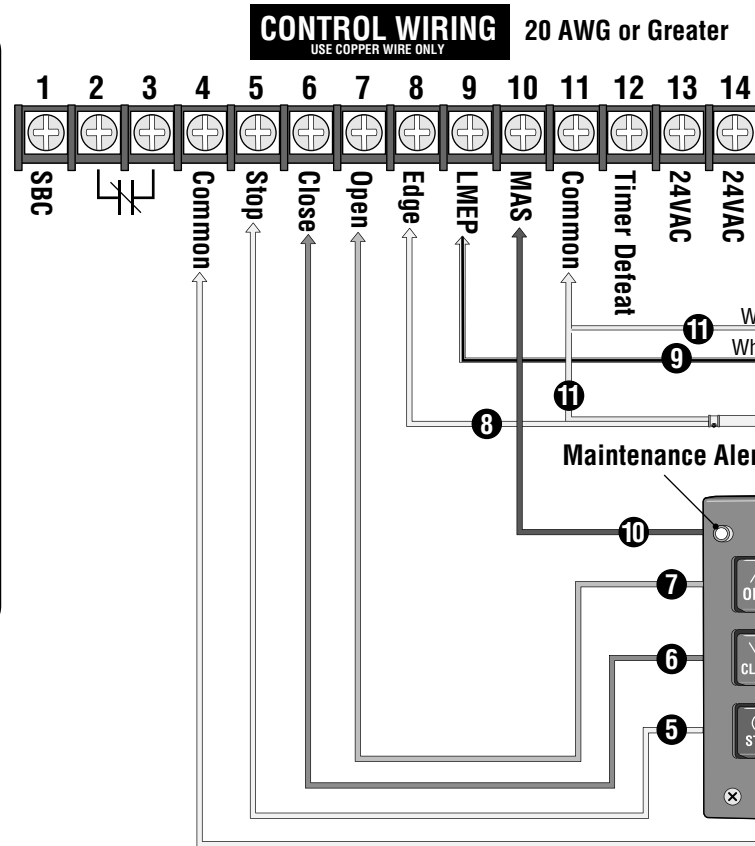
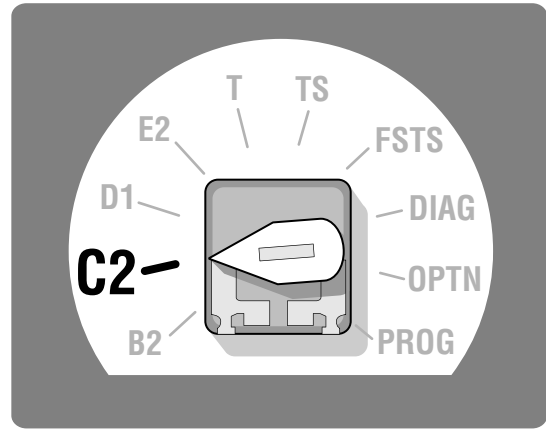
10 Limit Switches



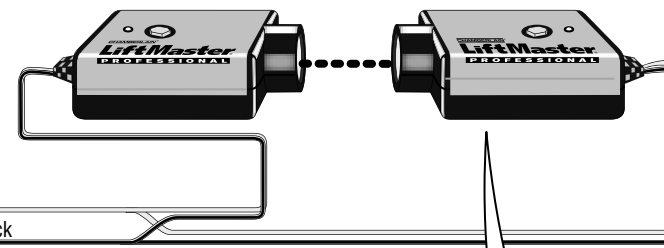
7 Align Sprockets



Board Selector Dial Factory Setting is C2



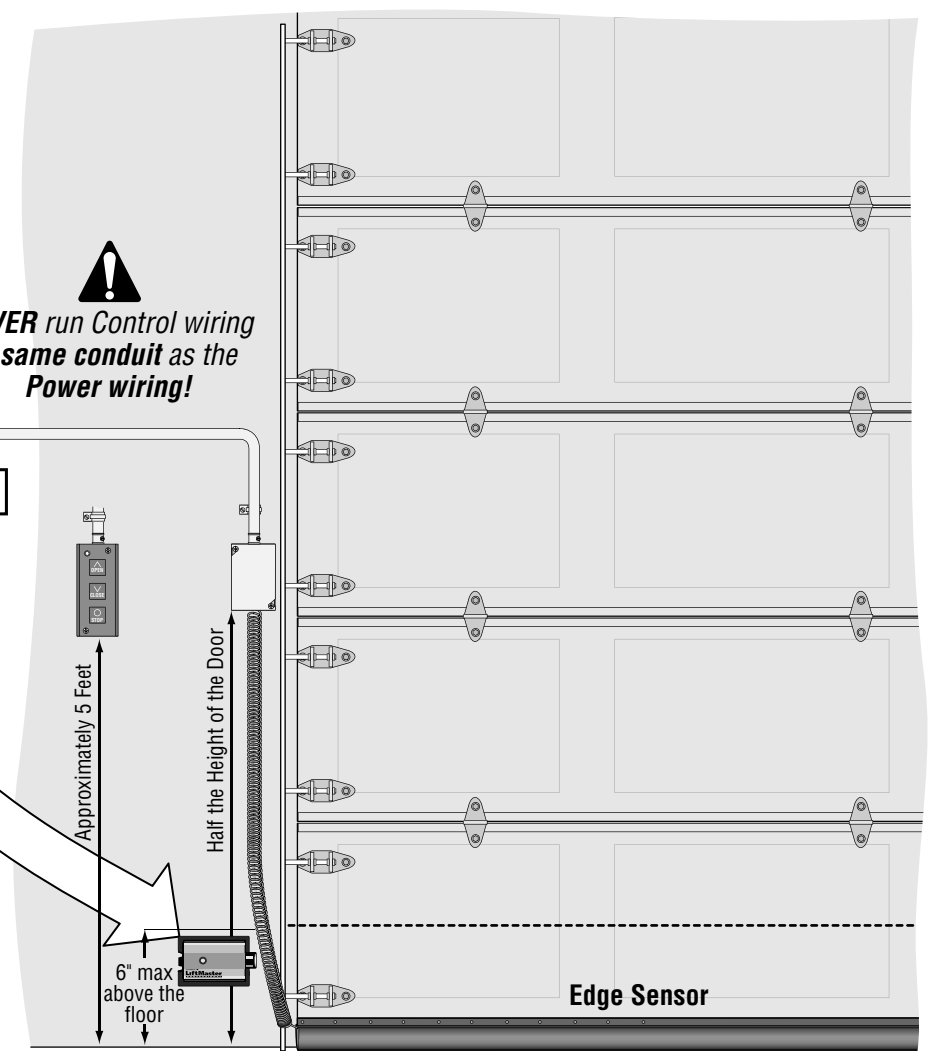
LiftMaster Monitored Entrapment Protection (LMEP) is required for most programmable settings. Thru-Beam Photoelectric Sensors (Shown)



NEVER run Control wiring in same conduit as the Power wiring!

Follow ALL national and local electrical codes

- 4 Push and Release to **Open** (without Mid Stop programming)
- 4 Push and **Hold** to **Close**
- 4 Push and Release to **Stop**



MAS Programming (Maintenance Alert System)

1. The MAS assists the installing dealer in setting up a routine maintenance program. Once programmed, the MAS notifies the end user (with a flashing LED on the 3 button station) when a preset number of cycles/months has elapsed and scheduled maintenance is due.

2. Close the Door.

3. Turn the selector dial to **PROG**.

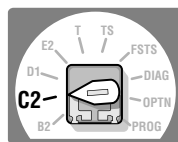
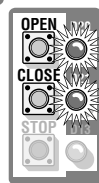
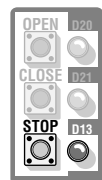
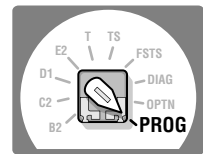
4. Press and release the **MAS** button.

5. Press the **STOP** button once to clear the MAS counter.

6. Press the **OPEN** button once for every **5,000 Cycles** increments. Press the **CLOSE** button once for every **3 Month** increments. Press the **STOP** button once to **Clear the MAS Setting**.

7. Press the **MAS** button to complete the programming. The on board **LED** will flash back the programmed settings. The **OPEN LED** will flash once for every 5,000 cycles. The **CLOSE LED** will flash once for every 3 months.

8. Turn the selector dial back to the desired wiring type.



Timer-to-Close Programming

Timer automatically closes door after a preset time.

1. Close the Door.

2. Turn selector to **PROG**.

3. Press and release the **TIMER** button.

4. Press and release the **STOP** button to clear the timer.

5. Press and release the **OPEN** button once for every 1 second. Press and release the **CLOSE** button once for every 15 seconds.

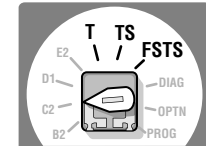
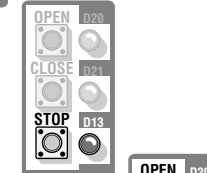
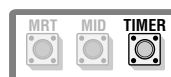
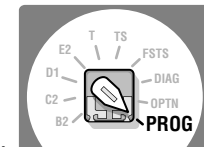
Example:
Push CLOSE + Push OPEN + Push OPEN = 17 seconds total
(15 seconds) (1 second) (1 second)

6. Press and release the **TIMER** button to complete programming.

The **OPEN LED** will flash once for every 1 sec. The **CLOSE LED** will flash once for every 15 sec.

7. Turn selector to **T, TS** or **FSTS** wiring types.

NOTE: Must have at least one LiftMaster Monitored Entrapment Protection (LMEP) device installed.



OPEN Mid Stop Programming

The mid stop feature is to open the door to a preset point prior to the fully open position.

1. Close the Door.

2. Turn selector to **PROG**.

3. Press and release the **MID** button.

4. Press the **OPEN** button, wait until the door reaches the desired mid stop height, then press and release the **STOP** button.

5. Press and release the **MID** button to complete programming.

6. Turn selector back to selected wiring type.

