

# TS Series (Torsion Spring) Edge-of-Dock Leveler Specification Sheet and Submittal



## STANDARD FEATURES FOR THE TS SERIES EDGE-OF-DOCK LEVELER

- Torsion Spring Lift Mechanism
- Heavy-duty Self-storing Steel Lever with EZ Grip Handle
- Roller-bearing Lift Mechanism for Easy Lifts
- Cold-rolled Steel Hinge Pins for Added Strength and Long Life
- Grease Fittings
- High-strength Steel Safety Tread Plate, Minimum 55,000 PSI Yield Strength
- Milled Lip Edge for Smooth Tire Rollover
- Torsion Gussets for Added Strength and Extended Life
- Full Width Distribution Bar for Extra Durability
- Heavy-Duty Bumper Blocks Assembles with Tuf-Cord Rubber Bumpers 4"x12"x13"
- Bumper Projection = 15"

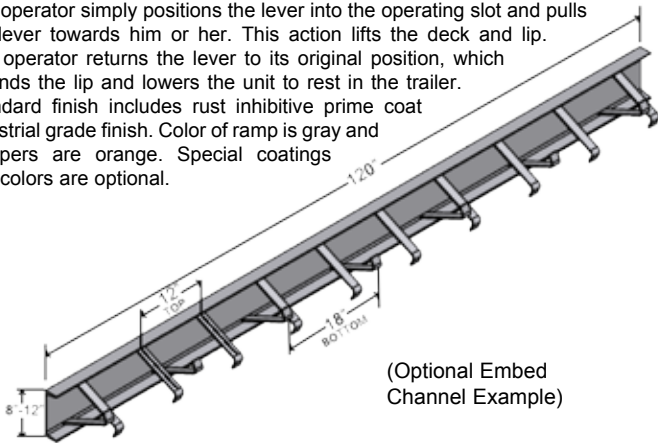


# TS Series (Torsion Spring) Edge-of-Dock Leveler Specification Sheet and Submittal

**GENERAL:** DLM invented the industries first "edge-of-dock" leveler over 40 years ago, setting the pace for the industry. The DLM "TS" series Edge-of-Dock Leveler mounts to the exterior dock face providing a simple and economical alternative to "portable plates" or "pit style" levelers. Edge-of-Dock Levelers are ideal for the motor freight industry or those companies with standardized trailer bed heights. DLM is a division of Systems Inc., Germantown Wisconsin.

**CONSTRUCTION:** The DLM TS Series Edge-of dock leveler permanently mounts to the dock face. The platform and lip are constructed of 4-way high tensile 55,000 psi minimum yield (A572) steel safety treadplate. The tread plate on the 20,000 and 25,000 lbs comparative Industry Rated (CIR) unit is 3/8" thick, the 30,000 lbs (CIR) is 7/16" and the 35,000 lbs (CIR) is 1/2" thick. The standard lip length is 15" on all TS Series Edge-of-Dock Levelers. Hinge tubes are 1 1/4" OD with 1/4" wall thickness for 20,000 25,000 & 30,000 lbs (CIR) and 1 1/2" OD for 35,000lb (CIR). Lip hinge pins are 11/16" solid shaft cold finish M1044 steel for 20,000, 25,000 & 30,000 lbs and 1" for 35,000 lbs (CIR). Each leveler comes standard with a 1/2" full width load distribution bar, connecting the hinge and lip section. Deck is supported in the stored position by a minimum of four (4) steel gussets attached to the base plate.

**STANDARD OPERATIONAL FEATURES:** Each TS series EOD provides a recommended working range of +/-3" and a maximum operating range of +/-5" above or below dock level. The advantage of the TS series Edge-of-Dock leveler is the ergonomically friendly positioning of the unit onto the truck bed. Gone is the heavy lifting generally associated with "hook style" EOD's. The operator simply positions the lever into the operating slot and pulls the lever towards him or her. This action lifts the deck and lip. The operator returns the lever to its original position, which extends the lip and lowers the unit to rest in the trailer. Standard finish includes rust inhibitive prime coat industrial grade finish. Color of ramp is gray and bumpers are orange. Special coatings and colors are optional.



(Optional Embed Channel Example)

**BUMPER BLOCK ASSEMBLES:** Each TS series Leveler is shipped with two (2) bumper block assemblies to help protect the deck plate and building from the approaching truck. Bumper block assemblies are extra-heavy duty 4"x12"x13" constructed of formed steel and incorporate a full height internal gusset for extra support. All DLM bumper blocks feature 4" thick Tuf-Cord rubber bumper.

**INSTALLATION:** For new construction, a flush or recessed 8"-12" anchoring channel (shown) is strongly recommended. Unit is then welded and anchored to embed plate and foundation wall. For existing docks without preferred embed channel, optional ramp approach plates or formed angles are available to maximize the strength of installation.

**WARRANTY:** All DLM TS series Edge-of-Dock models feature a full one (1) year base warranty on all structural and mechanical parts, including freight and labor charges in accordance with Systems, Inc's Standard Warranty Policy. Systems Inc. warrants all components to be free of defects in materials and workmanship, under normal use, during the warranty period. This base warranty period begins upon the completion of the installation or the sixtieth (60th) day after shipment, whichever is earlier.

Dimensions and Capacities Select a Model and a Capacity			
Model #	Deck Width	Total Unit Width	Comparative Industry Rating
<input type="checkbox"/> TS-66	66"	104"	<input type="checkbox"/> 20,000
<input type="checkbox"/> TS-72	72"	110"	<input type="checkbox"/> 25,000
<input type="checkbox"/> TS-78	78"	116"	<input type="checkbox"/> 30,000
<input type="checkbox"/> TS-84	84"	122"	<input type="checkbox"/> 35,000 (N/A for TS-84)

Optional Equipment for Edge-of-Dock (Check options desired)	
<input type="checkbox"/> 17" Lip	<input type="checkbox"/> Approach Plate Size _____
<input type="checkbox"/> Tapered Lip (4" < ramp width)	<input type="checkbox"/> Formed Angle Size _____
<input type="checkbox"/> U.S. Post Office Model with 3" Run Off Guards	<input type="checkbox"/> Dock Alert Communication System _____
<input type="checkbox"/> Recessed Design with 4" Thick Laminated Bumpers	<input type="checkbox"/> Wheel Chock Model _____
<input type="checkbox"/> Sliding Bumper Blocks	<input type="checkbox"/> Dock Light Model _____
<input type="checkbox"/> Other Bumpers _____	<input type="checkbox"/> Other _____
<input type="checkbox"/> Low Clearance Design (Flat Center Plate) Pallet-Jack Applications	<input type="checkbox"/> Other _____
<input type="checkbox"/> Four Sided Box Form	<input type="checkbox"/> Other _____
<input type="checkbox"/> Embed Channel Size _____	<input type="checkbox"/> Other _____

Standard NeverLift Handles		NeverLift Handles			
35,000 CIR	NeverLift III Handle	NL I - (11GA x 1" x 1" Sq. Tube)			
30,000 CIR		41"			
25,000 CIR	NeverLift I Handle	60"			
20,000 CIR					
		TS-66	TS-72	TS-78	TS-84
		NL III - (1" Sch. 80 Pipe)			

Customer: _____	Certified For Construction: _____
Job: _____	By: _____
Location: _____	Date: _____
Number of Units: _____	Company: _____
Model: _____	City & State: _____
Size: _____	Drawing #: _____
Represented By: _____	
SalesRep: _____	

A continuing product improvement process is in effect at Systems, Inc. We reserve the right to make product changes without prior notice.